

SMARTER WAYS TO WORK™

FINN



T330/400 Super
Tier IV Final
HydroSeeder®

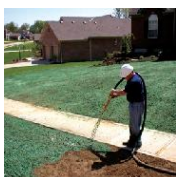
More horsepower with high efficiency hydraulic system.

- 173HP Tier IV Final Cummins water cooled, turbo-diesel engine
- Self-diagnosing engine including low oil pressure and high temperature shut-off system
- Electronically controlled hydraulics to enable maximum torque and speed control
- 6 x 3 inch, in-line 500gpm centrifugal pump
- Two (2) heavy duty, reversible and variable speed mechanical agitators with liquid recirculation
- Agitator speed and direction controlled independent of throttle for more efficient loading

More flexibility.

- Single boom, dual boom or hose application
- Mix and spray any material from the heaviest slurry BFM's, FGM's, plaster-based additives, lime, sprigs and stolons
- Agitator speed independent from pump
- Air-flush system available
- Air-activated clutch
- 4000 or 3000 gallon tank capacity
- Stainless steel tank optional

Applications



Landscape



Post-Construction



Highway / Oil /
Gas / Pipeline



Fire Remediation

More versatility and speed.

- High power agitators for tough/heavy slurries
- 6 inch suction hose for faster unloading – unit will unload in 6-8 minutes, ideal for re-vegetation using aircraft or large area coverage

Features and Benefits

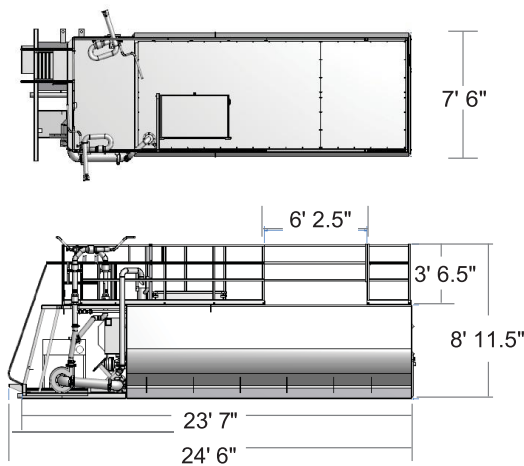
- Spraying distances of over 320 feet from boom
- Dual boom as an option for spraying on both sides of the unit for hard-to reach areas
- Hydraulic hose reel for ease of hose maneuverability
- Larger hatch design & bigger fill-port for quicker, more efficient loading
- Can accommodate 2-person loading at the same time
- Larger slide-gate and open-space design dramatically increases the amount of usable storage space on top of the tank
- Remote control for throttle and pump functions

As the world leader for over 80 years in the design and manufacture of innovative, quality equipment for the green industry, and as the inventor of the HydroSeeder, FINN Corporation is committed to your complete satisfaction.

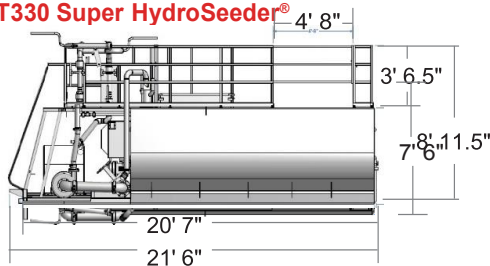
T330/400 Super
Tier IV Final
HydroSeeder®

Technical Specifications

T400 Super HydroSeeder®



T330 Super HydroSeeder®



Power	Cummins QSB (4.5L) Tier IV Final compliant industrial water-cooled, 173 hp Turbo Diesel, with over-center-clutch. Vibration isolated. Control panel with digital engine information display, throttle, pump on/off, horn, agitator direction and speed controls and e-stop
Engine Safety System	Engine ECU with self-diagnostics including low oil pressure and high temperature shutoff
Tank Size	T400 Super 3,975 gallon (15,047 liter) liquid capacity, 3,600 gallon (13,627 liter) working capacity T330 Super 3,350 gallon (12,681 liter) liquid capacity, 3,000 gallon (11,356 liter) working capacity
Fuel Tank Capacity	38 gallon (144 liter)
Pump	Centrifugal 6" x 3" (15.2 cm x 7.6 cm) 500 gpm @ 175 psi, 3/4" solid clearance
Pump Drive	In-line coupled to air-controlled clutch, pump operation is independent of agitator operation
Agitation	Two (2) mechanical paddle agitators and liquid recirculation
Agitator Drive	Reversible, variable speed hydraulic motor/gearbox drive (0-135 rpm) on agitators
Discharge Distance	Up to 320 ft. (97.5 m) from discharge tower
Material Capacity	T400 Super 12,400 lbs. (5,625 kg) granular solids, 1,800 lbs. (816 kg) fiber mulch T330 Super 10,000 lbs. (4,536 kg) granular solids, 1,500 lbs. (680 kg) fiber mulch
Nozzles	(2) narrow fan, (2) wide fan, (2) long distance for boom
Empty Weight	T400 Super 13,680 lbs. (6,205 kg) T330 Super 12,840 lbs. (5,824 kg)
Working Weight	T400 Super 47,250 lbs. (21,432 kg) T330 Super 45,250 lbs. (20,525 kg)
Loading Hatch	Large steel hatch with 28½" x 48" opening and dual pivoting stainless steel bag cutter and safety bar
Optional Equipment	Second discharge boom, Hose reel package, Remote control, Air flush, Third (3rd) Agitator, Stainless Steel Tank

www.Fibramulch.com

8711 Keele St.
Concord, ON L4K 2N1

P: +1(905) 761 - 6969
E: info@fibramulch.com

Working weights are approximate and do not include stored materials.

FINN Corporation has a policy of continuous product improvement, and reserves the right to change design and specifications without notice.

HydroSeeder® and the FINN Design® Logo are registered trademarks of FINN Corporation.