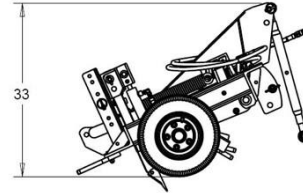
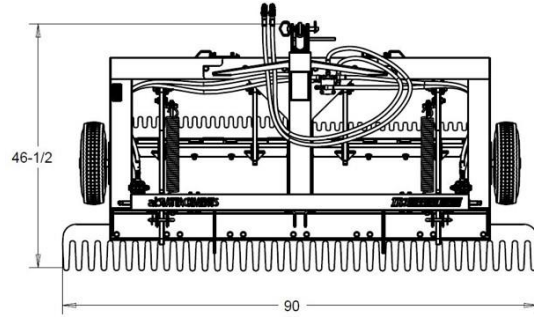


TR3 COMMAND SERIES



Vehicle Type.....	Tractor, 3 point
Hydraulic Ports Required.....	No options – 0
Add Top Link or Scarifiers.....	1 additional set each
Scarifying Depth.....	0”-3” adjustable to 5”
Scarifying Tip	Bolt-on
Construction	I-Beam & Angle Iron
Rake Material.....	3/4” AR Steel
Wheels.....	12” Foam Filled
Commercial Warranty	36 months
Unit Dimensions (7.5’ above)....	90” W x 46 1/2” D x 33” H

Available Sizes	6.5'	7.5'	8.5'
Raking Width	78"	90"	101"
Grading Width	55"	66"	77"
Scarifying Width	45"	57"	70"
Number of Scarifiers	6	8	10
Scarifying Spacing	8"-9"	8"-10"	7.5"-9.5"
Category Hitch	I	I	I or II
Minimum Horsepower	27 hp	35 hp	48 hp
Unit Weight	925 lbs.	1,100 lbs.	1300/1350 lbs.